



## Test Probes Specification:

### 1. (Auto-B) Standard Jointed test finger probe

#### Reference standard:

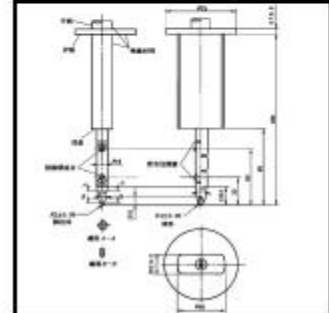
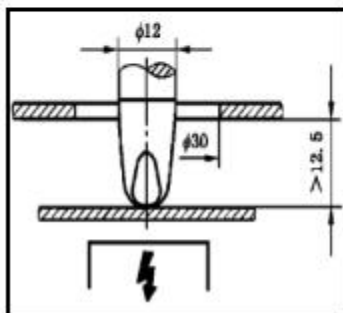
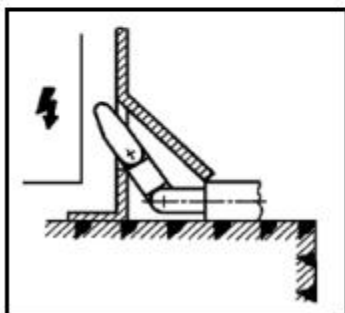
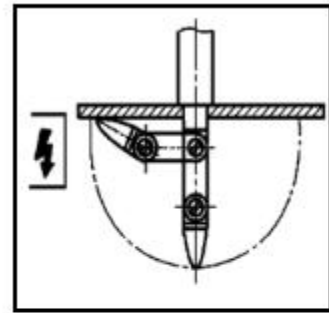
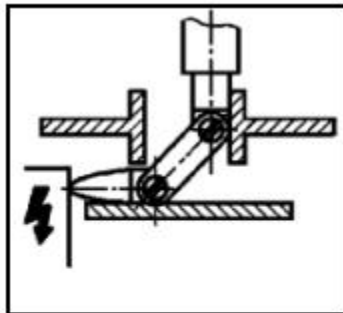
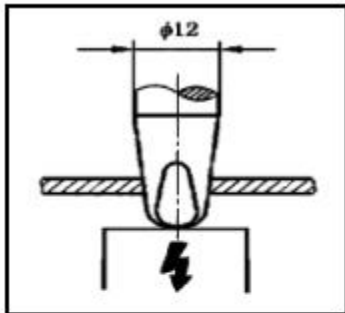
IEC61032, IEC60950, IEC60335, IEC60529, IEC60045, IEC60884, IEC69745-1

#### Application:

This is the "International" test finger required by most IEC, EN and CSA Standards, in addition to many UL Standards. Built in strict accordance to the newest requirements - with integral palm simulator. This is the ONLY Finger Probe available with a integral jack in the handle for continuity testing - as mandated by the IEC CB Scheme. The handle is made of plastic and the finger is made of chrome plated steel. All parts precision machined.

#### Technical Parameter:

Knurled finger diameter	12mm
Knurled finger length	80mm
Baffle plate diameter	50mm
Baffle plate length	100mm
Baffle thickness	20mm
Material	plastic + stainless steel





AUTOSTRONG MANUFACTURER

China top testing equipment manufacturer & One step laboratory tester supplier  
[www.autostrong-test.com](http://www.autostrong-test.com) hkauto-sales@hotmail.com

## **AUTOSTRONG :**



AUTOSTRONG is a professional manufacturer of **Industrial test equipments** for products safety application with headquarter in Kowloon Hong Kong and branch factory in SHEN ZHEN city. SHEN ZHEN Branch factory is over 2600 area, it besides SHEN ZHEN airport with very convenient transportation.

AUTOSTRONG is a reputed manufacturer of **Laboratory safety test equipments** and has engaged in Research & Development and Manufacture test equipments for many years. More, it is **one of the listed suppliers with IECEE (International Electro technical Commission) and have gained ISO9001:2008 Certification, Bureau Veritas and SGS audited certificate.**

AUTOSTRONG has undertaken projects of national 863 program and local governmental key science & technology programs for many times. We own a Professional and International Team with more than 60 engineers form Germany, Hong Kong. All our products are strictly designed and manufactured in accordance with IEC, CE, EN, UL, VDE, ASTM, ISO and other international standards. We offer normally ex stock and also provide customized service.



We focus on provide the highest grade products and services to our clients. With almost ten years development, We are being the fastest growing manufacturer



AUTOSTRONG MANUFACTURER

---

China top testing equipment manufacturer & One step laboratory tester supplier  
[www.autostrong-test.com](http://www.autostrong-test.com) hkauto-sales@hotmail.com  
supplier of test equipments for many industrial and manufacturing scenarios and  
AUTOSTRONG is the safety testing equipments leader manufacturer in China.

**Contact Information:**

**HONG KONG AUTOSTRONG TECHNOLOGY CO.,LTD.**

**SHEN ZHEN AUTOSTRONG INSTRUMENT CO.,LTD**

Address: 4F, I Building, Huafeng High Tech Industry Zone, Nanhuan Rd.

Shajing Town, Baoan District, Shen zhen City, P.R.China. 518104.

Tel: +86-755-26978980

Mobile: +86-15818665781

Fax: +86-755-26978981

Email: [hkauto-sales@hotmail.com](mailto:hkauto-sales@hotmail.com)

Website: [www.autostrong-test.com](http://www.autostrong-test.com)

AUTOSTRONG